

D

C

B

A

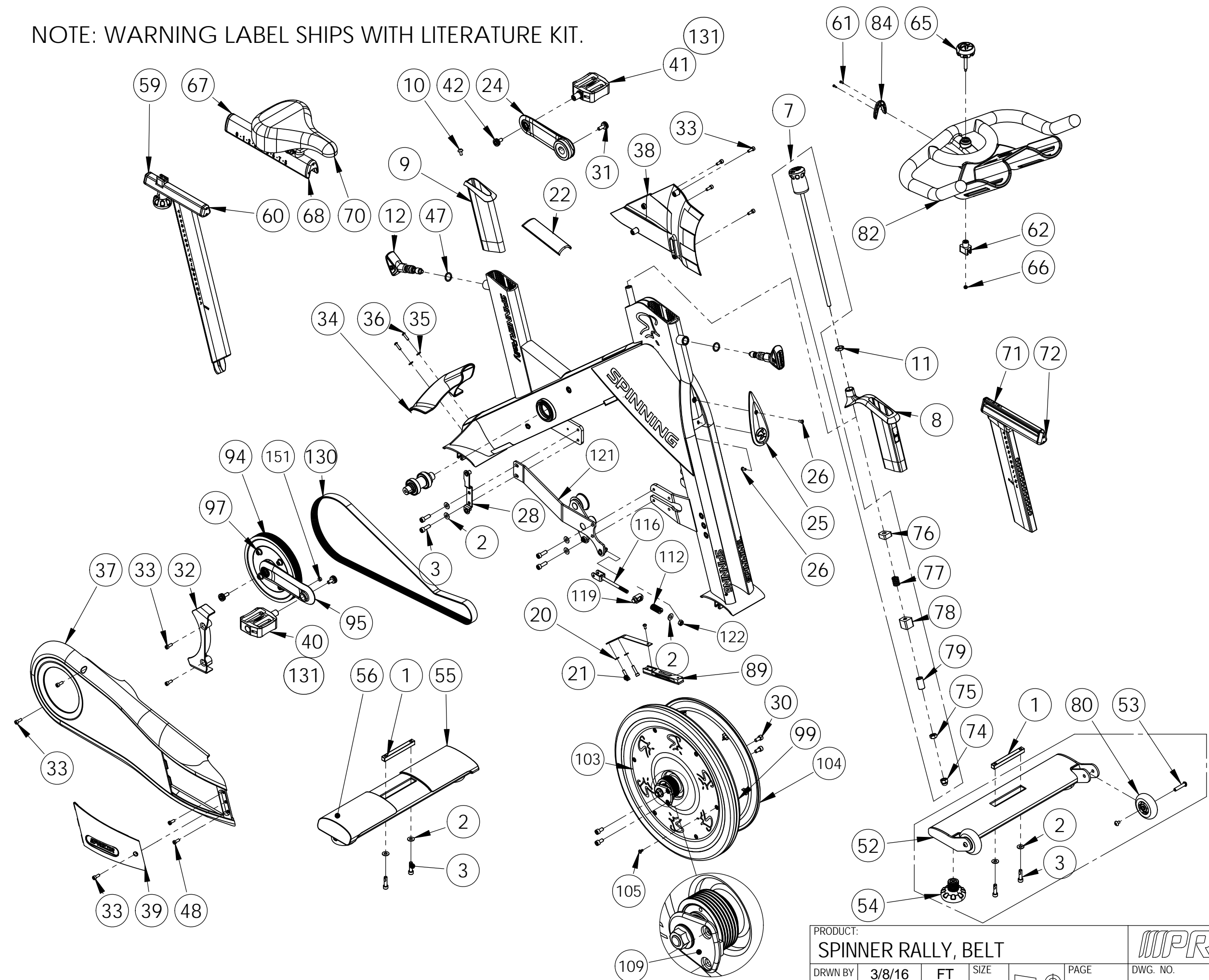
NOTE: WARNING LABEL SHIPS WITH LITERATURE KIT.

4

3

2

1



PRODUCT:
SPINNER RALLY, BELT



DRWN BY	3/8/16	FT	SIZE
CS	2/25/16	FCM	A

PAGE	1 OF 1
------	--------

DWG. NO.	304247-101
----------	------------

SUBREV	A03
--------	-----

DRAWING TEMPLATE REV. C

Bubble#	OEM Number	Description
1	PPPFT0039061900000	FIXED, LEG
2	PPPFT0006033008500	WASHER, D19XD8.5X1.2T, SS304
3	PPP00FT64910080465	HEX BOLT, M8X1.25X20L, SCM435, E-CO
7	PPPF0039042400000	ADJUST KNOB ASSY.
8	PPPF0039061600000	SLEEVE-HANDLEBAR POST
9	PPPFT0039061601000	SLEEVE-SEAT POST
10	PPPFT0064910060206	HEX BOLT, M6X1.0X12L, SS304
11	PPPFT0039062404000	NUT, SLEEVE-HB POST, 21X6, SS304
12	PPPF0039041602000	POP PIN ASSY
14	PPPFT0066750550007	C-RING, NO. 55
15	PPPFT0039062001000	B/B AXLE
18	PPPFT0039062002000	B/B AXLE SPACER
19	PPPFT0039062201000	BLOCK SHAFT, CRANK
20	PPPFT0060330064036	WASHER, D12XD6.4X1.5T, SS304
21	PPPFT0064910060216	HEX BOLT, M6X1.0X25L, SS304
22	PPP00FT39023404000	STEP THROUGH WITH ADHESIVE BACKING
24	PPPF03906220000089	CRANK, LEFT, COATING
25	PPPFT0039063400000	FENDER
28	PPPF0039062851000	FIXED PLATE, RING, FINGERGUARD
30	PPPFT0006491008007	HEX BOLT, M8X1.25X16L, SCM435
31	PPPFT0039062208000	BOLT, CRANK, M8X1.25X20L, SCM435
32	PPP00FT39063452000	REAR FINGERGUARD, ADDITIONAL CLEARA
33	PPPFT0064910060136	BUTTON HEAD SCREW, M6X1.0X16L, SS30
34	PPP00FT39063407000	STRETCH PAD
35	PPPFT0060330055016	WASHER, D13XD5.5DX1T, SS304
36	PPPFT0006591005022	BUTTON HEAD SCREW, M5X0.8X20L, SS30
37	PPPFT0039063402000	CHAIN GUARD (OUTSIDE)-PAINTING
38	PPPFT0039063403000	CHAIN GUARD (INSIDE)
42	PPPFT0039062204000	BOLT, CRANK, M8X1.25X16L, SCM435
45	PPPFT3903170000030	FRONT LEG COATING.
47	PPPF0039061605000	WASHER, D24.5XD18.5X1.2T, SS304

Bubble#	OEM Number	Description
48	PPPFT0066410060000	HEX SCREW, M6X1.0X16L, SS304
52	PPPFT0039041700000	FRONT LEG ASSY.
53	PPPF T0039061705000	BOLT, WHEEL, D8X39, SS304
54	PPPFT0039061706000	FOOT ASSY.
55	PPPFT0039041800000	REAR LEG ASSY.
56	PPPFT0039061801000	END CAP, REAR LEG
57	PPPFT0006591005009	BUTTON HEAD CAP SCREW, M5X0.8X12L,
59	PPPFT0039031400000	SEAT POST-ANDOIZING
60	PPPF T0039061404000	END CAP-FIXED SHAFT, SEAT
61	PPPF T0064910030036	HEX BOLT, M3X0.5X8L, SS304
62	PPPFT0039061309000	FIXED BLOCK
63	PPPFT0039061402000	CUSHION, SEAT POST
64	PPPFT0066210040050	SCREW, VESSEL HEAD SELF TAPPING
67	PPP00 FT39031502000	SEAT SLIDE, ANDOIZED, LONGER STEM
68	PPPF T0039061502000	END CAP-SEAT SLIDER, SEAT
69	PPPFT0039061503000	INSERT, 14.8X2.5TX310, HDPE
70	PPP00FT39061504010	SEAT
71	PPP00FT39031101000	HANDLE BAR POST, ANODIZED
72	PPPFT0039061102000	END CAP, FIXED HANDLE BAR POST
74	PPPF T0006742010000	.AP NUT, M10X1.5X18, SS304
75	PPPF T0006542010000	HEX NUT, M10X1.5X8T, SS304
76	PPPFT0039062401000	CUSHION, ADJUST KNOB
77	PPPFT0003116190200	SPRING, ADJUST BOLT, 18.29X13.49X
78	PPPFT0039062402000	NUT, ADJUST BOLT, 30X27.2X25
79	PPPFT0039062405000	SPACER, D18X31, NL + 15GF
80	PPPFT0003564200300	WHEEL ASSEMBLY
82	PPP00FT39021202000	BOXED, HANDLEBAR ASSY-PVC
83	PPPFT0039041300000	ADJUST, HB, ASSY
84	PPPFT0039061301000	END CAP-ADJUST SHAFT, SEAT.
85	PPPFT0039061302000	INSERT

Bubble#	OEM Number	Description
86	PPPFT0006641008001	HEX BOLT, M8X1, SS304
89	PPP00FT39042501000	BRAKE PAD SET
94	PPPFT3906210300089	CRANK, RIGHT, BELT DRIVE, COATING
95	PPPFT0039062100000	REAR PULLY, ED
97	PPPFT0006491008029	HEX BOLT, M8X1.25X30L, SS304
98	PPPFT0006642008000	NYLOC HEX NUT, M8X1.25X8, SS304
99	PPP00FT39022300000	BOXED, FLYWHEEL, ASSY.
101	PPPFT0039062302000	FRONT PULLY
102	PPPFT0039062303000	NUT, CHAINWHEEL
103	PPPFT0039062306000	CAP, FLYWHEEL-RIGHT, PRINT
104	PPPFT0039062305000	CAP, FLYWHEEL-LEFT-PRINT
105	PPP00FT62110050046	PHILLIPS SCREW, M5X10, SS304
108	PPPFT0039062310000	SPACER, AXLE
109	PPP00FT39062312200	BRACKET, FLYWHEEL AXLE, E-COAT
110	PPP00FT60330130025	WASHER, D23.8XD12.5X2.5T, S41, E-CO
111	PPP00FT69220120025	NL, FLANGE, HEX, M12X1.25, SS41, E-
112	PPP00FT39063003000	SPRING, 020X10X35L
113	PPPFT0067750040007	E RING, NO. 4
114	PPPFT0039062907000	AXLE, IDLER ADJUST SCREW SET, D6X25
115	PPPFT0039063104000	SLEEVE, IDLER ADJUST SCREW SE
116	PPPFT0039033101000	IDLER ADJUST SCREW SET, ED
117	PPPFT0039063103000	SLEEVE, IDLER
119	PPPFT0039063001000	IDLER ADJUST BOLT FEXED SHAFT
120	PPPFT0006675012000	C RING, NO. 12
121	PPPFT0039032800000	PLATE, FRAME, ED
122	PPPFT0006612008000	NUT, M8X1.25, SS41 , NL
123	PPPFT0039042900000	IDLER ASSY.
124	PPPFT0006116690400	BEARING
125	PPPFT0006675018000	C RING, NO.18
125	PPPFT0006675020000	C RING, NO.20

Bubble#	OEM Number	Description
126	PPPFT0039062903000	IDLER SLEEVE
127	PPPFT0039062904000	IDLER PULLEY - MACHINING
130	PPPFT0039062202000	BELT, 6PK1435(GATES)
131	PPPFT0003016162200	TOE STRAP
150	PPP00FT39063105000	BUSHING, IDLER ADJUST SCREW,10.2X8.
151	PPP00FT39062221000	9.5X2.5MM MAGNET
152	PPP00FT39062220000	10X5MM MAGNET
190	PPP000000058232101	CS KIT, SPINNER SEAT SLIDE REPAIR
191	PPP00FT39062004000	COVER, BB
200	PPP00FT39049000000	HARDWARE KIT, SPINNER RALLY
801	PPP000000304021101	LABEL, WARNING, ENGLISH, SBK